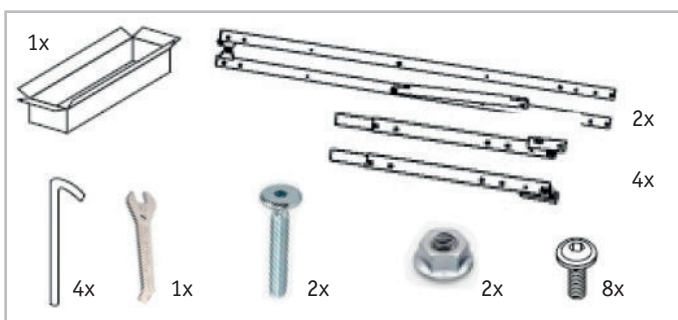
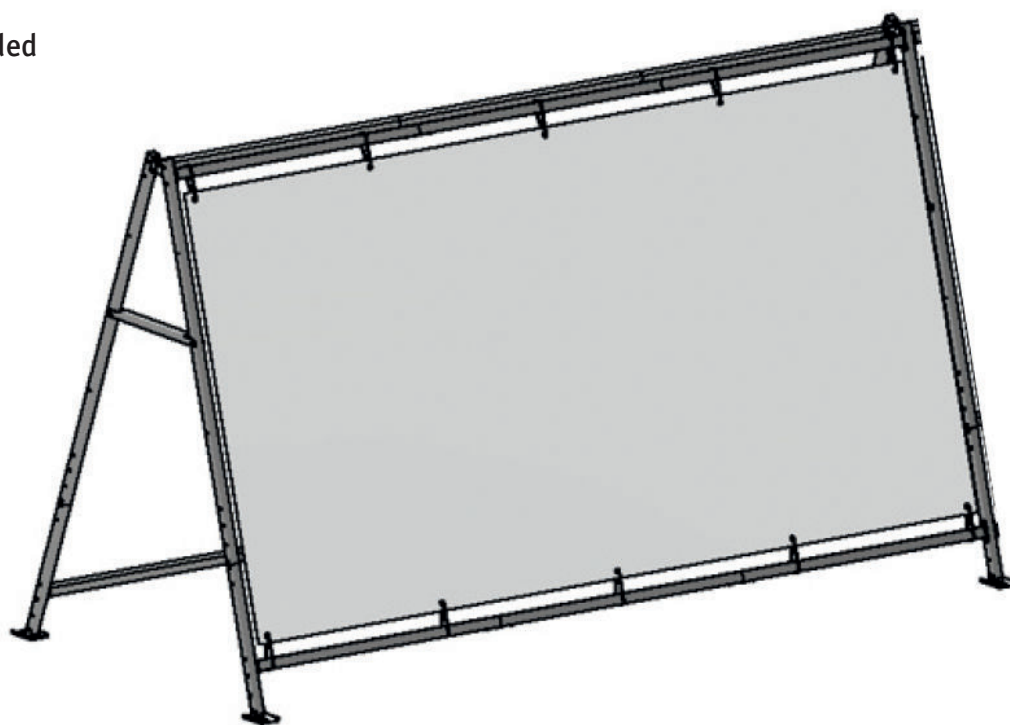


single-sided



It is recommended that the display stand be firmly anchored to the ground or bolted into a concrete foundation in very windy or urban areas.

Take care when opening and folding the display stand, as there is a risk of crushing injuries!

